



**Owner's Manual**

**No Bark Collar**

***dogtra* YS300**



**Dogtra Company**

22912 Lockness Avenue  
Torrance, CA 90501 U.S.A.

Tel) 310.534.0101

Fax) 310.534.9111

Toll Free) 1.888.811.9111

Store website) [shop.dogtra.com](http://shop.dogtra.com)

Copyright © 2007 Dogtra Company All rights reserved. (9)



[www.dogtra.com](http://www.dogtra.com)

• OVERVIEW .....	3
• MAIN FEATURES .....	4
• SAFETY PRECAUTIONS .....	5
• PACKAGE CONTENTS .....	7
• DESCRIPTION .....	8
• TESTING YOUR NO BARK COLLAR .....	14
• TO RECHARGE THE BATTERY .....	16
• FITTING THE COLLAR .....	18
• MAINTENANCE .....	18
• TROUBLESHOOTING .....	19
• FREQUENTLY ASKED QUESTIONS .....	20
• WARRANTY AND REPAIR .....	22

## OVERVIEW

Thank you for purchasing the dogtra “No Bark Collar” Model YS300!

This product has been specifically designed to prevent your dog from barking excessively by emitting an automatic electrical stimulation when your dog barks.

The **dogtra ys300** is a safe No Bark Collar intended for small to medium (sensitive) sized dogs.

Instructions are included. Please read them thoroughly before using your “**dogtra ys300**”.

## MAIN FEATURES

- Non-electrical stimulation vibration (P) warning prior to the stimulation.
- 6 intensity levels (2-7) for a wide variety of dispositions.
- Test Mode (T) for testing the No Bark Collar.
- Rechargeable 2-hour rapid charge Lithium Polymer Battery.
- Fits dogs as small as 10 lbs.  
(Receiver weight : 4.0 ounces)
- Tri-Color LED Battery Life Indicator.
- Fully waterproof.
- Small size - 2.63" X 1.81" X 1.14"
- Light weight - 4.0 ounces.
- Made with surgical stainless steel and anti-microbial protection (straps), for a clean, odor fighting, long lasting product.
- 15 seconds delay period in-between stimulation corrections to help your dog figure out the corrections better.

## SAFETY PRECAUTIONS

Your dogtra “No Bark Collar” is a valuable training aid when used correctly.

The Dogtra No Bark Collar is made with surgical stainless steel and anti-microbial protection (straps), for a clean, odor fighting, long lasting product. Please observe your dog’s neck everyday because it may rub as the dog moves, causing irritation if the collar is too loose.

To prevent skin irritation, the collar should not be worn more than 8-hours at a time.

Also, it is best to move the location of the contact points every few hours. To do this, take the collar off and then put it back on so that the contact points are in a different location on the neck.

If skin irritation is found, wash the area and rinse with hydrogen peroxide. Apply an antibiotic ointment. Temporarily discontinue using the collar until the skin has healed.

Proper collar strap tightness is extremely important. If the collar is too loose, it will not function properly and it may rub as the dog moves, causing irritation.

**dogtra** No Bark Collars are intended for the sole purpose of preventing the dog from barking.

Do not attempt to test dogtra No Bark Collars on humans or other animals.

Dogs should be in good health during this collar training.

**dogtra** No Bark Collars are not intended for use on dogs weighing less than 10 pounds or less than 6 months of age. If you have any concerns, please consult with your trainer.

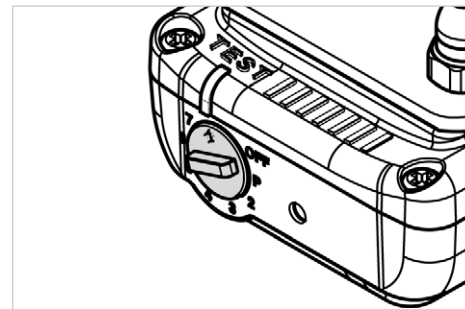
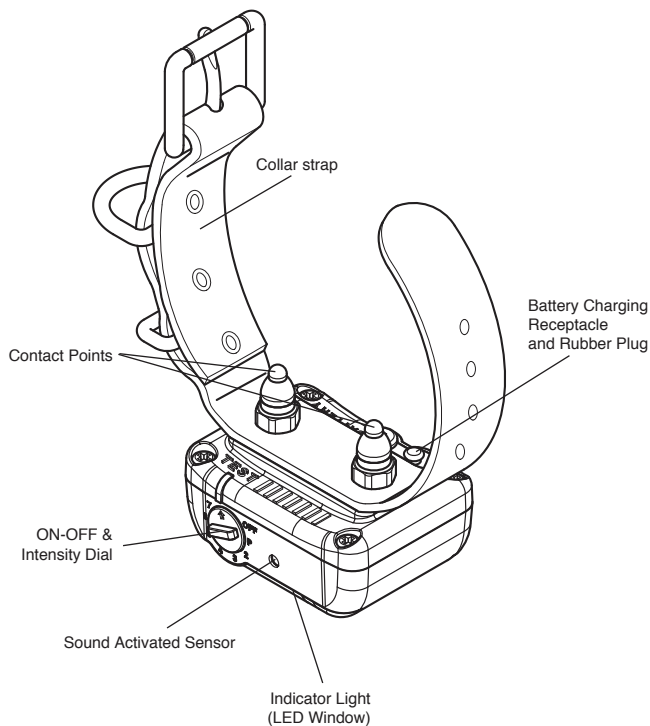
The Dogtra YS300 has a preset delay of 15 seconds in-between corrections. Once the unit activates, it **WILL NOT** activate again until 15 seconds has gone by. The reason for the delay is so that your dog has some time to figure out the implications of the corrections, before being corrected again for barking.

**IMPORTANT** : Please remove the No Bark Collar before playing with your dog. The activity may cause your dog to bark, which could lead him to associate playing with the electrical stimulation

### **dogtra** COLLAR PACKAGE CONTENTS

- No Bark Collar with collar strap
- Lithium Polymer Battery Charger
- Owner's Manual
- Plastic Dummy Contact Points

## DESCRIPTION



## ON-OFF &amp; Intensity Dial

The ON-OFF & Intensity Dial on the collar is used to turn the “**dogtra YS300**” on and off, to select the intensity level, and to test the **dogtra YS300**.

Set the ON-OFF & Intensity Dial on the “OFF” position to turn off the “**dogtra YS300**”

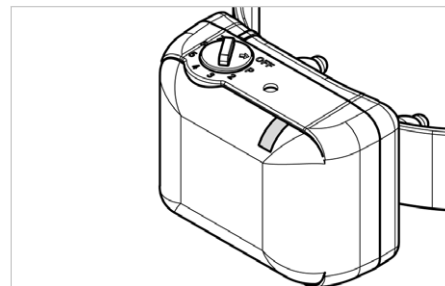
On pager mode (P) the collar will only vibrate. Level 2 is the lowest electrical stimulation and Level 7 is the highest. On each level, a vibration is followed by stimulation.

Set the ON-OFF & Intensity Dial on the test mode (T) to test the **dogtra ys300**. (See “TESTING THE NO BARK COLLAR” on page 14.)

ON-OFF & Intensity Dial	Function
OFF	Power OFF
P	Vibration only (non-stimulation)
2~7	Vibration followed by stimulation
T	Test mode

### NOTICE

When first using the “**dogtra ys300**”, it is recommended that you start with the lowest level. If the dog continues to bark, gradually increase the intensity level.



### Indicator Light (LED window)

The indicator light (LED Window) will flash for 1 second when the Dogtra YS300 has been turned on. Then after 2 seconds, it will flash every 2 seconds. If the dog does not bark for over 10 seconds, it will turn to the Sleep mode to save battery life and the LED will turn off.

Before going into Sleep mode, the LED light flashes green when the battery is fully charged and turns to amber when the battery life is getting low. When the LED indicator emits a blinking red light, the battery needs to be recharged.

Battery life LED window	Fully charged	Medium charge	Needs charge
On Working	Flashes Green	Flashes Amber	Flashes Red
On Charging	Stays on Green	Stays on Red	Stays on Red

### Contact Points

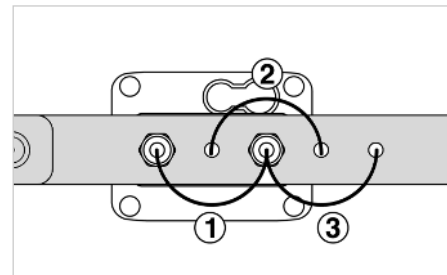
*dogtra* *YS300* uses surgical stainless steel contact points. The length of the contact points should be well-fitted so that the contact points are held firmly against the dog's skin.

**IMPORTANT** : Avoid touching the Contact points unless the No Bark Collar is completely discharged, or you may feel the electrical stimulation yourself.

### Plastic Dummy Contact Points

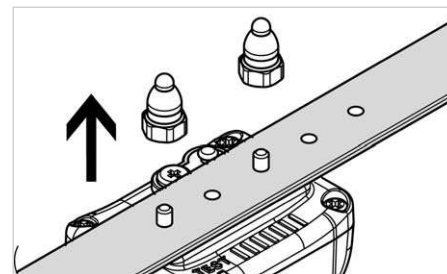
If your dog is properly trained with the no bark collar, you can replace the Contact Points with the Plastic Contact Points included in the package. By doing so, it will allow you to keep the collar on your dog for a longer period of time with less irritation on the skin. You may also use the Pager mode as a useful tool in correcting your dog without the stimulation, however, only leave the collar on for 8-hours at a time if the stainless steel contact points are still being utilized.

### Collar Strap Adjust

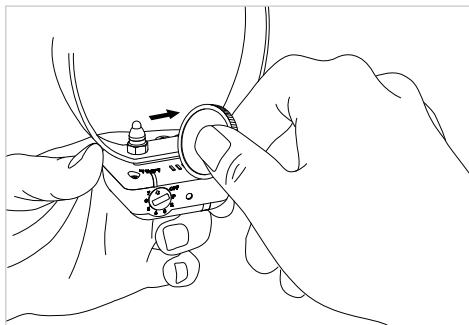


The collar strap of the *dogtra* *YS300* can be adjusted 3 steps as shown in the diagram above.

To adjust the collar strap, first unscrew the contact points and put the screws in the desired holes, then tighten the contact points as shown below.



## TESTING YOUR NO BARK COLLAR

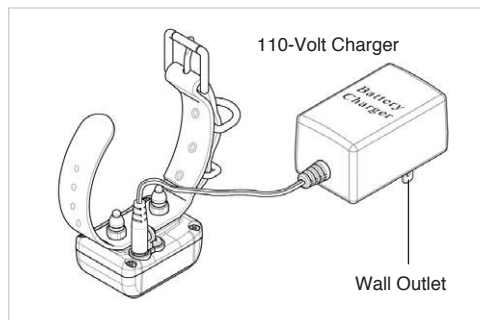


1. Turn the *dogtra ys300* on by turning the ON-OFF & Intensity Dial and select the test mode (T) so that the arrow on the dial is aligned with the letter “T”.

The LED indicator light will flash for 1 second to indicate that it is on, after 2 seconds it will flash every 2 seconds. If the dog does not bark over 10 seconds, it will turn to the Sleep mode to save battery life and the LED will turn off.

2. Test by scratching the rough surface of the test tool on the collar (as shown in the diagram) using a coin. The collar will emit a vibration three times. Repeat the same process if you want to test again.
  3. The Dogtra YS300 has a preset delay of 15 seconds in-between corrections. Once the unit activates, it WILL NOT activate again until 15 seconds has gone by. The reason for the delay is so that your dog has some time to figure out the implications of the corrections, before being corrected again for barking.
- \* **When on the test mode, the No Bark Collar emits a vibration without emitting stimulation at the same time.**
  - \* **When on the test mode, the sensor may be sensitive enough that the No Bark Collar can activate easily by a small sound or tap.**

## TO RECHARGE THE BATTERY



1. Open the Battery Charging Receptacle & Rubber Plug on the No Bark Collar and connect the Lithium Polymer Charger to the battery-charging receptacle as shown in the diagram.
2. Plug the charger into an electrical power outlet of ordinary household voltage (110V).
3. The Lithium-Polymer Battery provides a 2-hour rapid charge.

4. When the battery is recharging, the LED will stay on red. The LED light will become green when the battery is completely recharged. (The battery is fully charged with a 2-3 hour charge.)

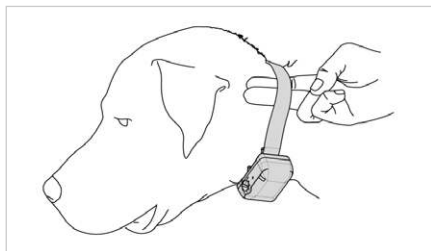
Battery life On charging	Charging	Completely recharged.
Indicator Light (LED Window)	Red	Green

**Note :** Only use the dogtra approved Lithium Polymer Battery Charger that is designed for the **dogtra ys300**, or it could potentially damage the unit.

## FITTING THE COLLAR

The collar strap should be adjusted so that the contact points are held firmly against the dog's skin.

Fasten the collar enough to allow one or two fingers to fit between the collar strap and your dog's neck.



If the collar is too loose, the stimulation can be inconsistent and your corrections will be inconsistent also.

## MAINTENANCE

Periodically wash the No Bark Collar with alcohol or detergent. Dry thoroughly after washing.

## TROUBLESHOOTING

### My dog keeps barking. Is the No Bark Collar working properly?

- Check and see that the Dogtra No Bark Collar is turned on.
  - Tighten the collar strap and make sure the contact points are held firmly against the dog's skin.
  - Recharge the battery if it is discharged.
  - Increase the electric stimulation levels.
    - We advise you to start with the lowest level when first using the “**dogtra ys300**”.
    - The dog can be startled at the electrical correction for the first time.
    - If you consider the intensity of stimulation too light, increase the level gradually.
    - In case of stubborn or aggressive dogs, you can increase the intensity level suddenly, and then return the intensity back to its original setting.
    - You have to be very careful in deciding the intensity level.
- If you select the wrong intensity level, the electrical contact can be inconsistent or it can give rise to negative influences on dogs.
- For more information, contact the customer service center at 1-888-811-9111 (8:30am-4:00pm PST)

## FREQUENTLY ASKED QUESTIONS

### 1. How long does it take to fully recharge the batteries, and how long do the batteries last after a charge?

**dogtra ys300** uses Lithium Polymer Batteries, which provide a rapid charge.

It takes 2~3 hours to recharge the batteries if the batteries are fully discharged.

The LED indicator light stays on red while the battery is being charged, and the light will change into a green color and stay on without blinking when the battery is completely charged.

It may vary from the frequency of uses, but the batteries should last for about 2 weeks.

### 2. How tight should the No Bark Collar be around my dog's neck?

- The contact points must have direct contact with your dog's skin.
- Adjust the contact points so that they are held firmly against the dog's skin.
- Check the fit to prevent excessive pressure by being able to insert one or two fingers between the contact points and your dog's skin.
  - If the collar is too loose, it can move around the dog's neck or the stimulation will not be consistent, whereas it may be difficult for your dog to breath if the collar is too tight.

- Mark the desired length of the collar with a pen for future usage.
- If after finding the desired length of collar and you have excess collar strap, it is okay to trim off the leftover part with a pair of scissors. However, be sure to leave extra length, if necessary, to accommodate the future growth of the dog.

### 3. My dog seems to be startled at the static correction. Will the stimulation harm my dog?

- The Dogtra No Bark Collar is not intended for the punishment but for the reinforcement of behavior modification of dogs.

But if your dog is startled when first using the dogtra No Bark Collar, remove the collar until your dog is settled. You may want to turn the collar off, and put the collar back on him for a day or so, until he is comfortable. Attempt the collar again at a lower level when you see that your dog is more accustomed to the collar.

### 4. How do I get it repaired and get information about my Dogtra No Bark Collar?

For any questions concerning your Dogtra products call us Toll free at 1-888-811-9111, (8:30am-4:00pm, Pacific Standard Time).

## WARRANTY AND REPAIR

### 1-Year Comprehensive Warranty

Dogtra Company provides the original purchaser with a 1-YEAR WARRANTY for the iQ Series, EF 3000 Gold, RR Deluxe, YS300, and YS500. The warranty begins from the date of purchase. For the first year, coverage is for Parts, Labor, and Accessories.

After the first year, the cost of Parts, Accessories, Labor fees, and Shipping fees incurred are the customer's responsibility. Labor fees will be variable depending on the extent of the work required.

### To Qualify for the Dogtra Warranty

All products must be registered and/or a proof of purchase is required to initiate repair work under warranty. To register your Dogtra product, log onto our website at [www.dogtra.com](http://www.dogtra.com), click on the warranty registration link, and fill out the required information. Registration must be completed within 30 days of purchase. If you do not have access to a computer, you can call our toll free number at 1-888-811-9111, and one of our customer service representatives will register the product for you. If you were unable to register your product within 30 days of purchase, we will accept all products for repair with a proof of purchase. We strongly recommend keeping the original receipt. If your product is not registered and a proof of purchase is not available at the time of service, Dogtra will estimate the age of the unit by the serial number. Serial number estimates can differ from the actual purchase date. A serial number estimate is the only method of determining an approximate date of purchase without product registration or a proof of purchase.

### Not Covered Under Warranty

Dogtra DOES NOT offer warranty for products that have been bought secondhand or as a resold product.

Dogtra DOES NOT replace defective units or provide refunds for products purchased from us after 30 days from the date of purchase.

Dogtra DOES NOT cover the cost of shipping outside of the Continental United States.

Issues of replacement and refunds on units purchased less than 30 days from an authorized dealer must be addressed to the dealer directly. If the products purchased from an authorized dealer are after 30 days from the date of purchase, please send the units to Dogtra for service and repair.

Dogtra DOES NOT cover the cost of repairs and replacements due to misuse by the owner or dog, improper maintenance, and/or lost units. Any water damage on the Water Resistant Transmitters of the 175NCP, 180NCP, 200NCP series,

1400NCP Series, 1500NCP Series, and iQ, and the Water Resistant Receivers of the RRS, RRD, and RR Deluxe, will not be covered. All replacement costs for either the transmitter or receiver will be the owner's responsibility.

The warranty is void if the unit has been altered or an unauthorized person has damaged the unit while attempting repair work.

Battery replacement by the customer during the first year of the 1-Year Comprehensive Warranty is not recommended. If the customer chooses to replace the batteries, any damage to the unit during the change-out by the owner will void the warranty.

The removal of serial numbers from any Dogtra products will void the warranty.

Dogtra reserves the right to retain and discard any parts or accessories that have been found damaged upon replacement and repair.

### Procedure for Repair Work

If the unit is malfunctioning, please refer to the "Trouble Shooting Guide" in the Owner's Manual and call customer service at 1-888-811-9111, for technical support, before sending it to Dogtra for Service.

The cost of shipping products under warranty back to Dogtra is the customer's responsibility. Dogtra is not responsible for units damaged or lost in transition to Dogtra. Dogtra is not responsible for loss of training time or inconvenience while the unit is in for repair work. Dogtra does not provide loaner units or any form of compensation during the repair period.

A copy of the sales receipt showing the purchase date may be required before warranty work is initiated.

Please include a brief explanation outlining the problem and include your name, address, city/state/zip code, daytime phone number, evening phone number, and email address. Or you can visit our website at [www.dogtra.com](http://www.dogtra.com) for a service request form. If the repair costs are not covered under warranty, we will call you for payment information and authorization. For any questions concerning your Dogtra products, call us toll free at 1-888-811-9111, M-F 8:30AM - 4:00PM, Pacific Standard Time, or email us at [repair@dogtra.com](mailto:repair@dogtra.com) for specific repair inquiries.

A self-addressed stamped envelope should be sent to :

### Dogtra Company / Repairs

22912 Lockness Avenue  
Torrance, CA 90501  
U.S.A.

The diagrams and representations in the manual may differ slightly from the actual product depending on the model type.